



Wuhan Joho Technology Co., Ltd
 Tel: + (86)27-6502 7017 Phone: + (86)131-5246 5800
 Address: No.6, 3rd Road of Huagong Science & Technology Zone, East Lake New Technology Development District, Wuhan, China, 430074

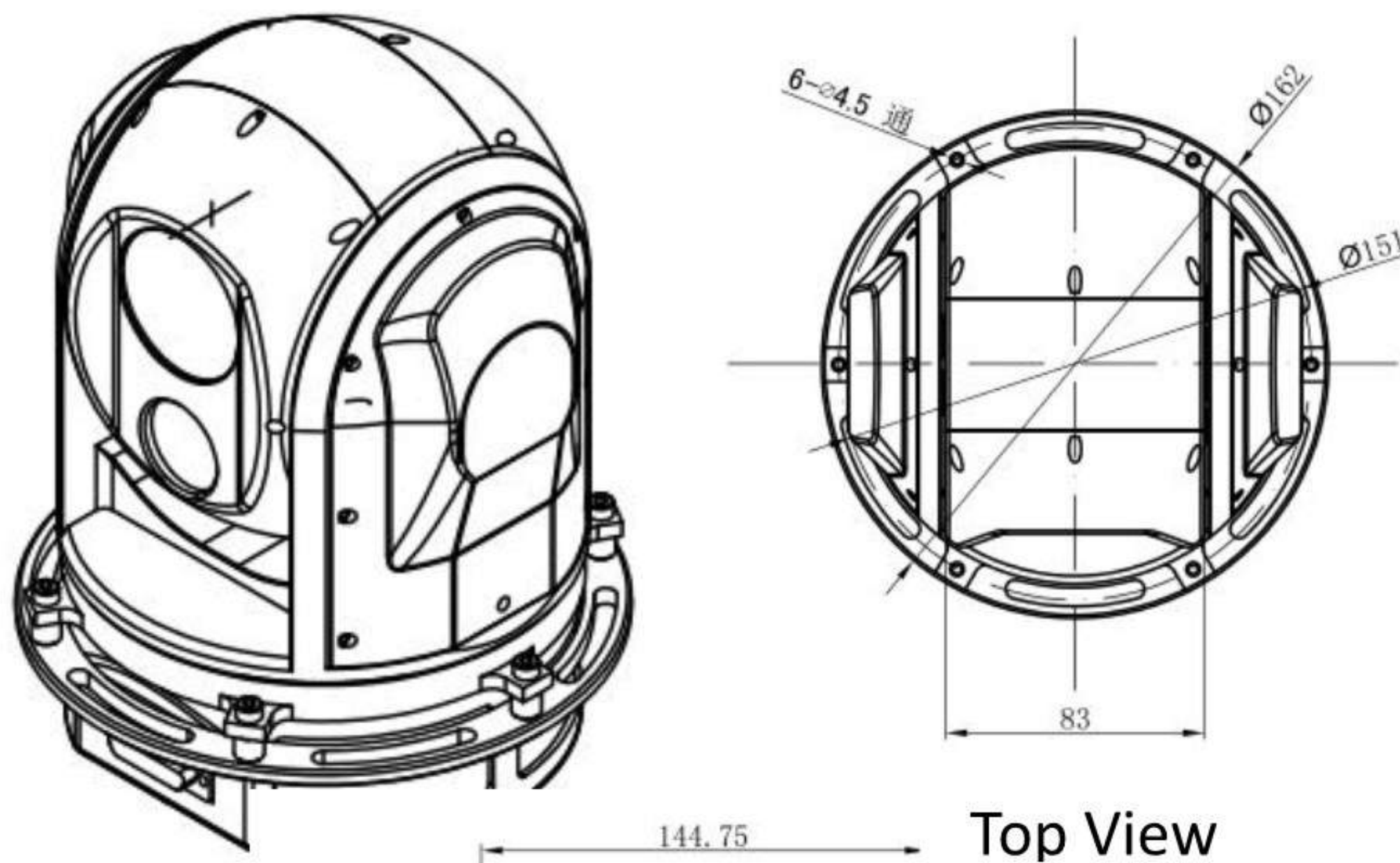
JHP107-M145A

Miniature UAV Gimbal

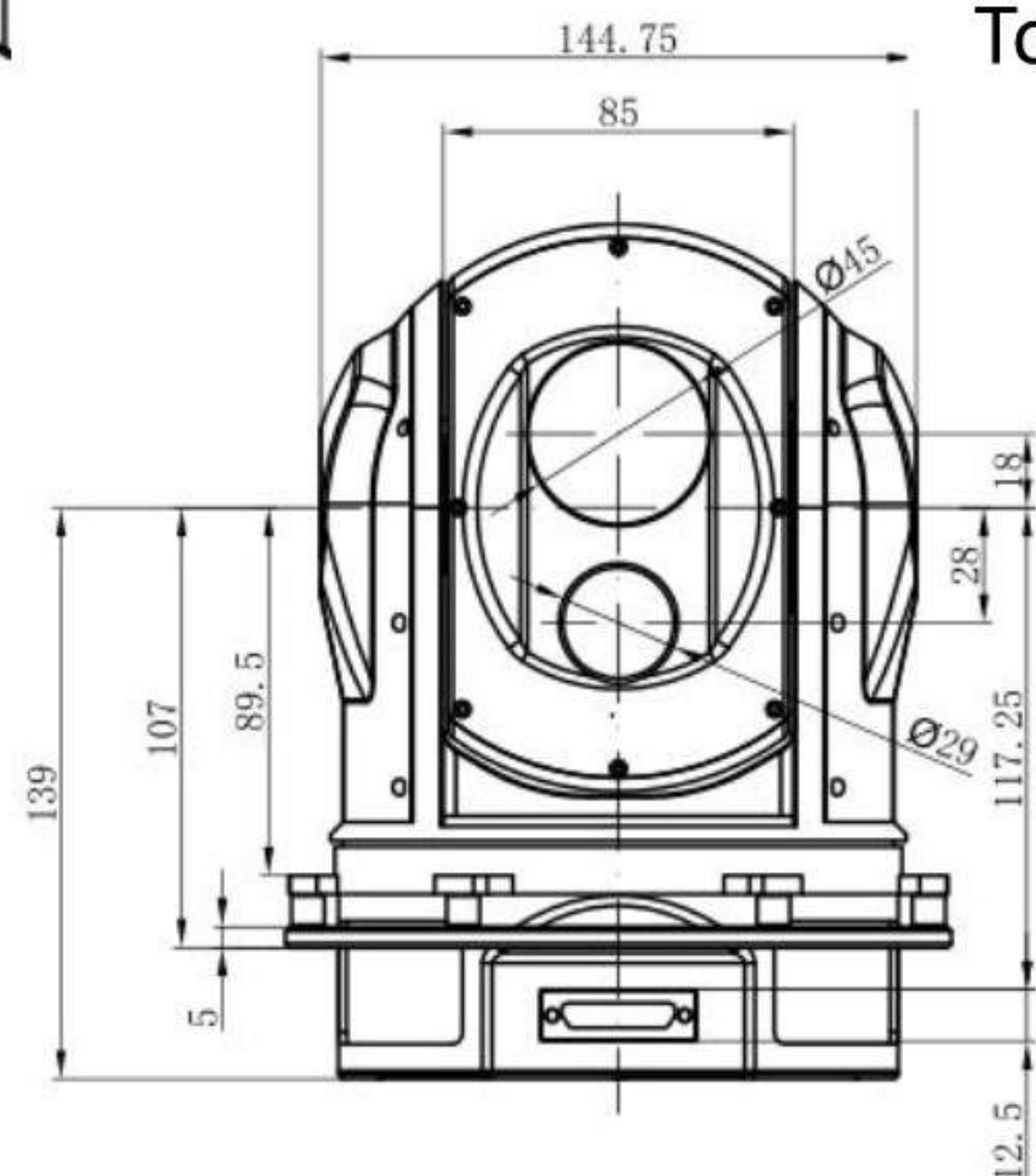
Two-axis Dual Sensor Gimbal

- 2-Axis gyro stabilization
- HD CCD+ IR
- UAV gimbal
- User friendly
- Target tracking

Description	Gyro-stabilized Multi-sensor
Platform	Two-axis
Azimuth range	n×360°
Elevation range	-35°~+110°
Max angle speed	≥60°/s
Max angular acceleration	≥80°/s ²
Stabilization accuracy	≤0.5mrad
Angular accuracy	±0.1°

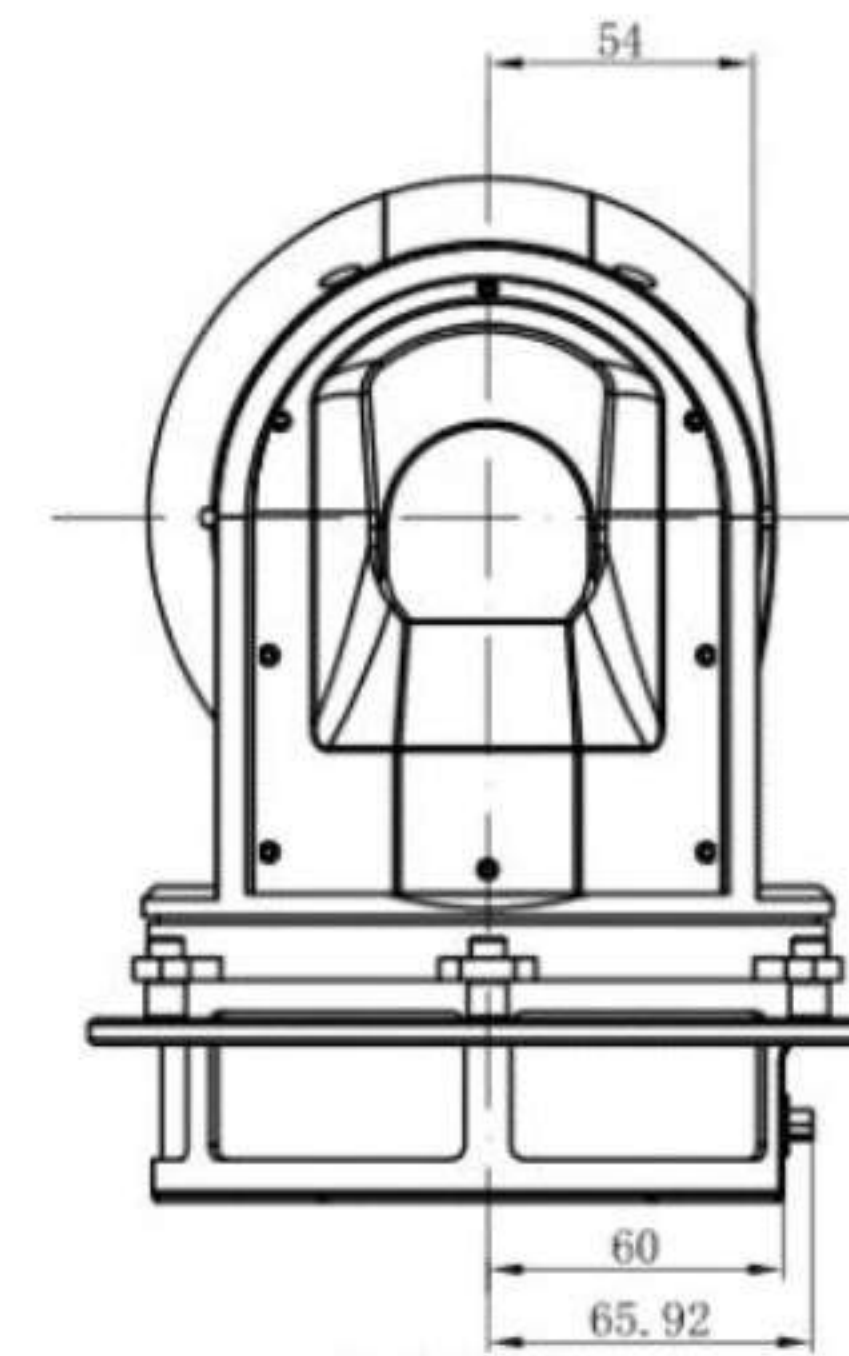


Top View

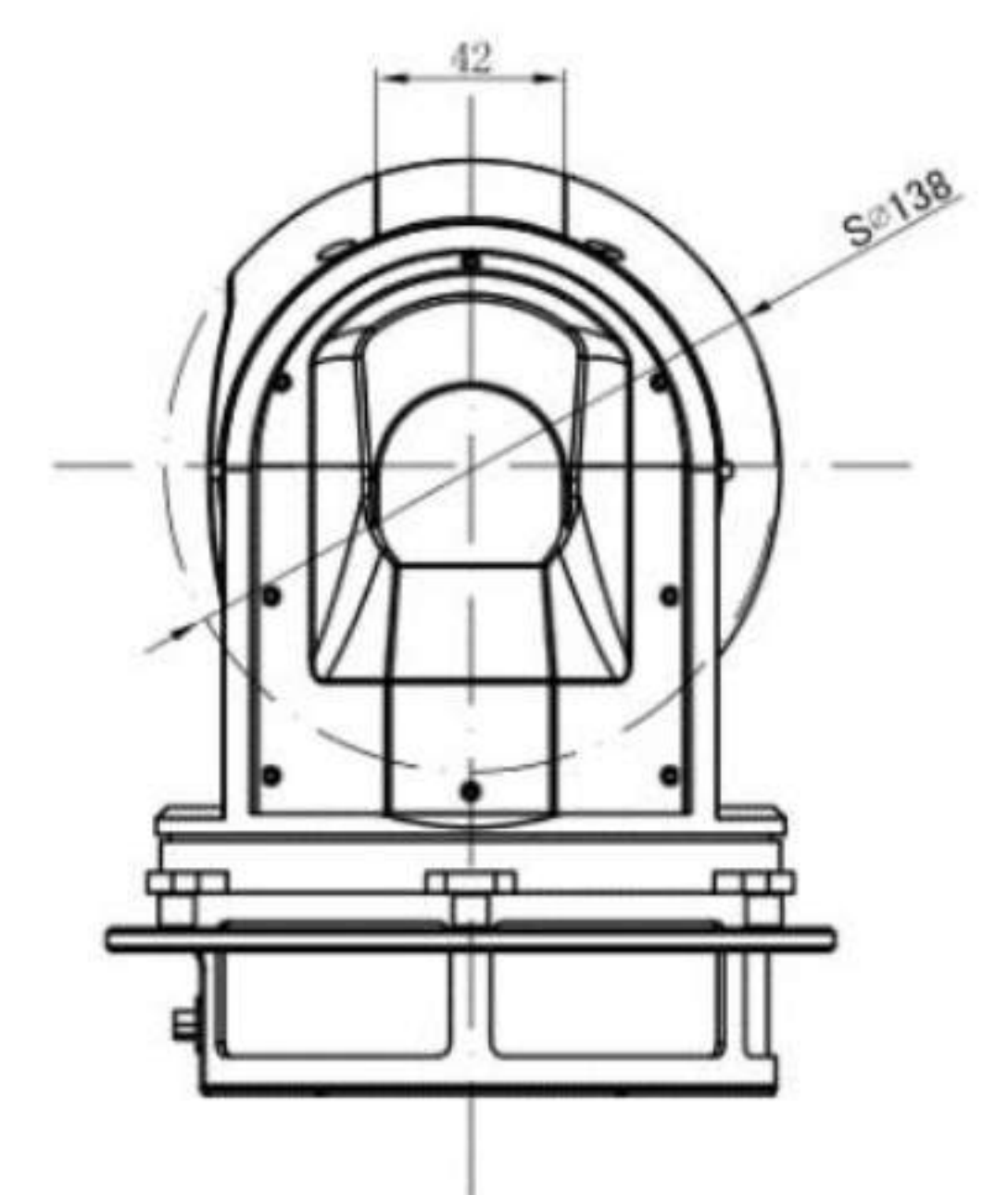


Front View

IR Camera	Detector: VOx uncooled FPA Pixel: 640×512 Spectrum: 7.5~13.5um Focal length: 35mm Pixel size: 17μm Frame frequency: 25Hz Digital Video: SD-SDI interface
Daylight Camera	Resolution: 1920×1080 Focal length: 4.9mm~49mm(10× optical zooming) FOV: 7°03' ×4°~49°28' ×7°28' Frame frequency: 30Hz Digital Video: HD-SDI interface
External Interface	Video: HD-SDI interface (Two-way) Communication: RS232/RS422/RS485 Control protocol: Pelco-D and extended protocol Power Supply: DC 12V Power consumption: ≤15W
Physical	Dimension: ≤Φ145mm×205mm Weight: ≤2.5kg Installment: Below belly Color: White & black



Left View



Right View